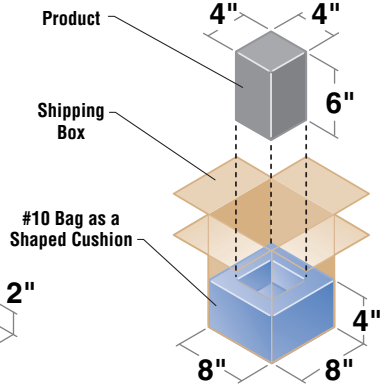
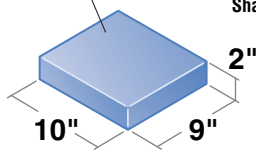


# Instapak Quick® RT

Foam Packaging - Bag Volumetric Guide

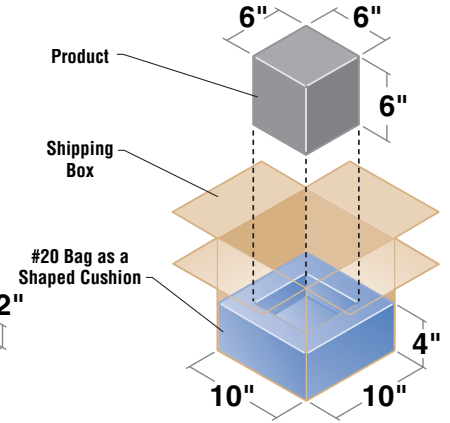
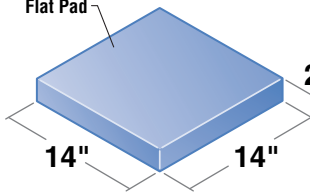
## #10 Bag (15" x 18")

#10 Bag as a Flat Pad



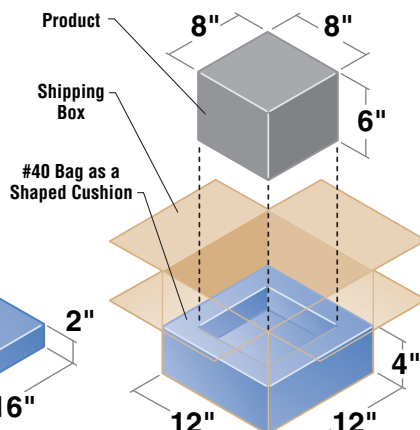
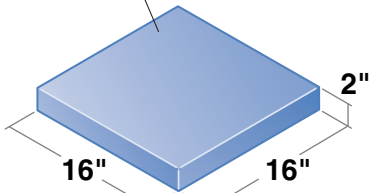
## #20 Bag (18" x 18")

#20 Bag as a Flat Pad



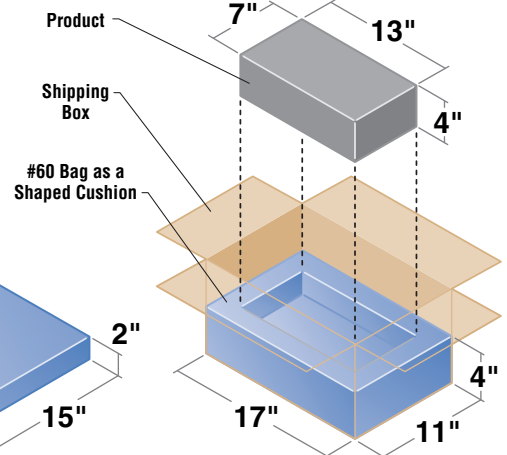
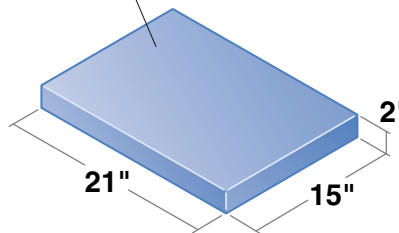
## #40 Bag (18" x 24")

#40 Bag as a Flat Pad



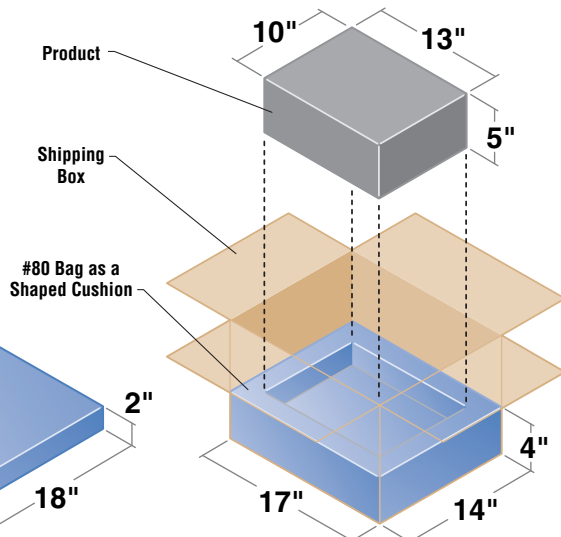
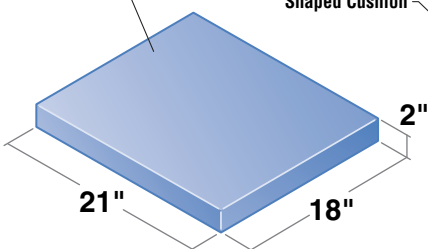
## #60 Bag (18" x 24") (25% more foam than #40 bag)

#60 Bag as a Flat Pad



## #80 Bag (22" x 27")

#80 Bag as a Flat Pad



**Note:** This guide illustrates approximate Instapak Quick® RT cushion volumes. These volumes may vary with box size, product size, and packaging technique.

**Note:** Due to their shape and size, some products may require more than two Instapak Quick® RT foam bags for adequate protection. This is a common occurrence when using the foam-in-bag packaging process.